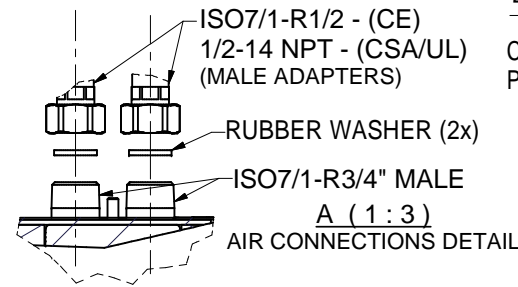
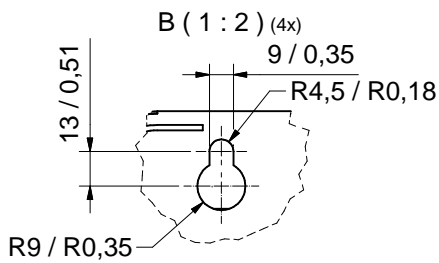
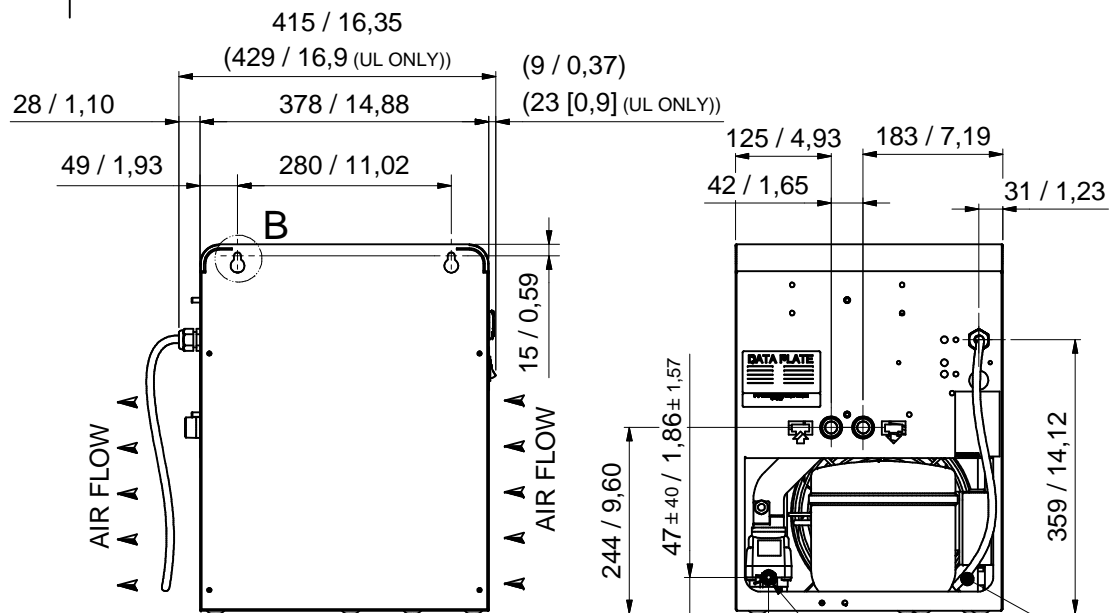
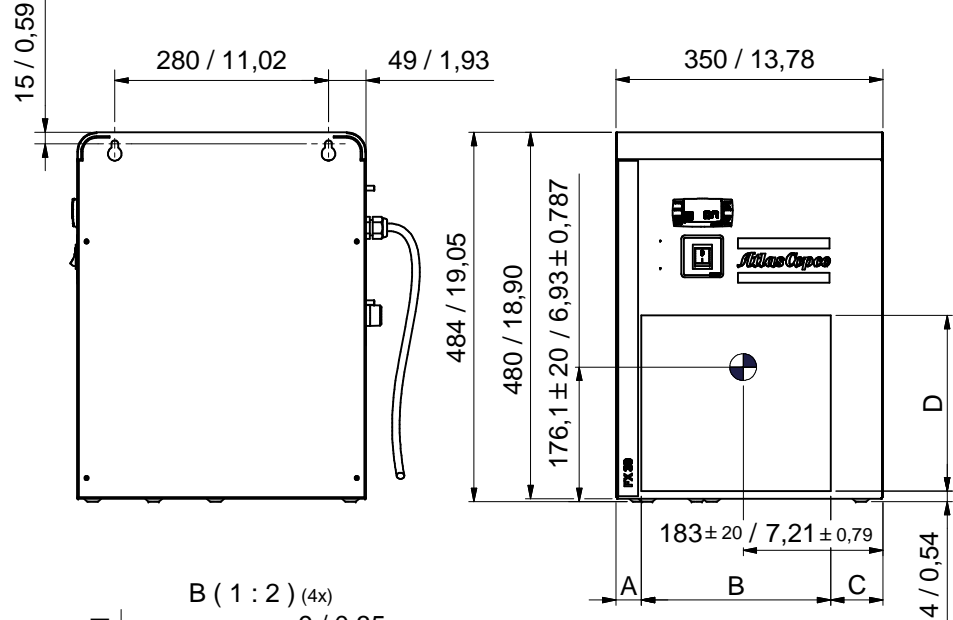
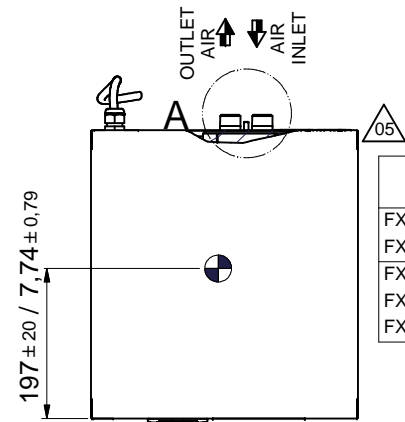
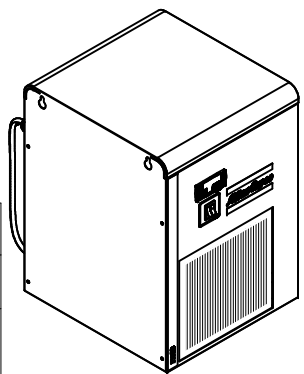


All materials supplied are in compliance with the requirements of the List of Prohibited Substances



CONDENSATE DRAIN OUTLET
PIPE Ø int.10mm / 0,39 inch

ELECTRICAL CABLE OUTLET



DRYER VERSION	A (mm / inch)	B (mm / inch)	C (mm / inch)	D (mm / inch)
FX 1-2-3 MODEL (R134a)	81 / 3,19	188 / 7,4	81 / 3,19	175 / 6,89
FX 5-10-15 MODEL (R513A)				
FX 4-5 MODEL (R134a)				
FX 20-30 MODEL (R513A)	34 / 1,34	248 / 9,76	68 / 2,68	230 / 9,06
FX HT1 (R134a) + HT6 MODEL (R513A)				

Tolerances, if not indicated, according to:

ATLAS COPCO STANDARD CLASS

Name	DIMENS. DRAWING		FX1-5+FX5-30+FXHT1+6	Confidentiality Class acc. to 1102 K
Material	Not applicable			Confidential
Treatment	Not Applicable			INV
Scale	1:5	Family	DRYERS FX	Compare
Drawn by	sgraser	Blank nr.		Replaces
Drawing format	Blank wt.	0 Kg	Fini wt.	N/A
Des checked.	Prod checked.	Approved.	Date	14/04/2005
STATUS				Approved
Designation				Sheet 1 / 1
Drawing Owner				CAI
Transferred from				

ALL DIMENSIONS: mm [inch]

CONFIDENTIAL: This document is property of Atlas Copco AB and shall not without our permission be altered, copied, used for manufacturing or communicated to any other person or company.

05	Added FX5-30 versions. CID.27573, DN20054129	23-06-20	asavio	2202754800	04.00
Ed	Position	Date	Intr./Appd.	Parent 3D model	Ed . Version 3D

2202754900